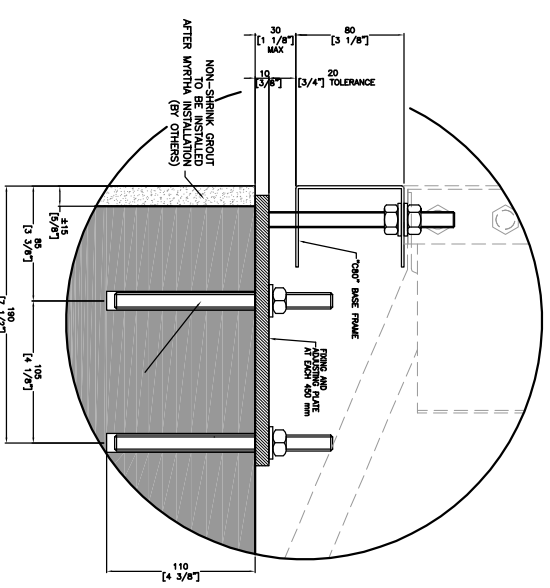
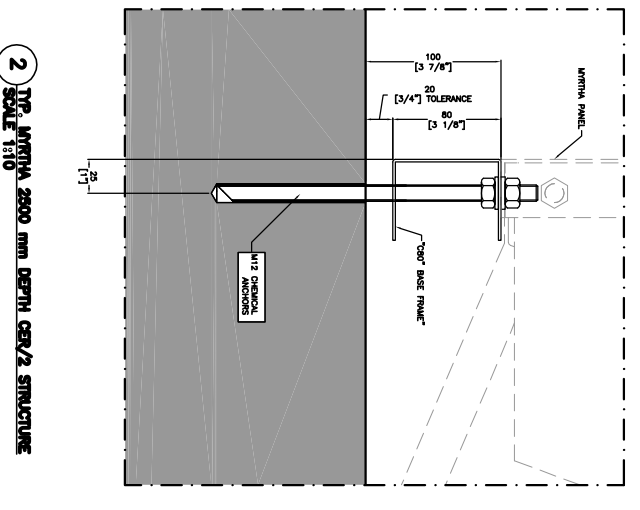
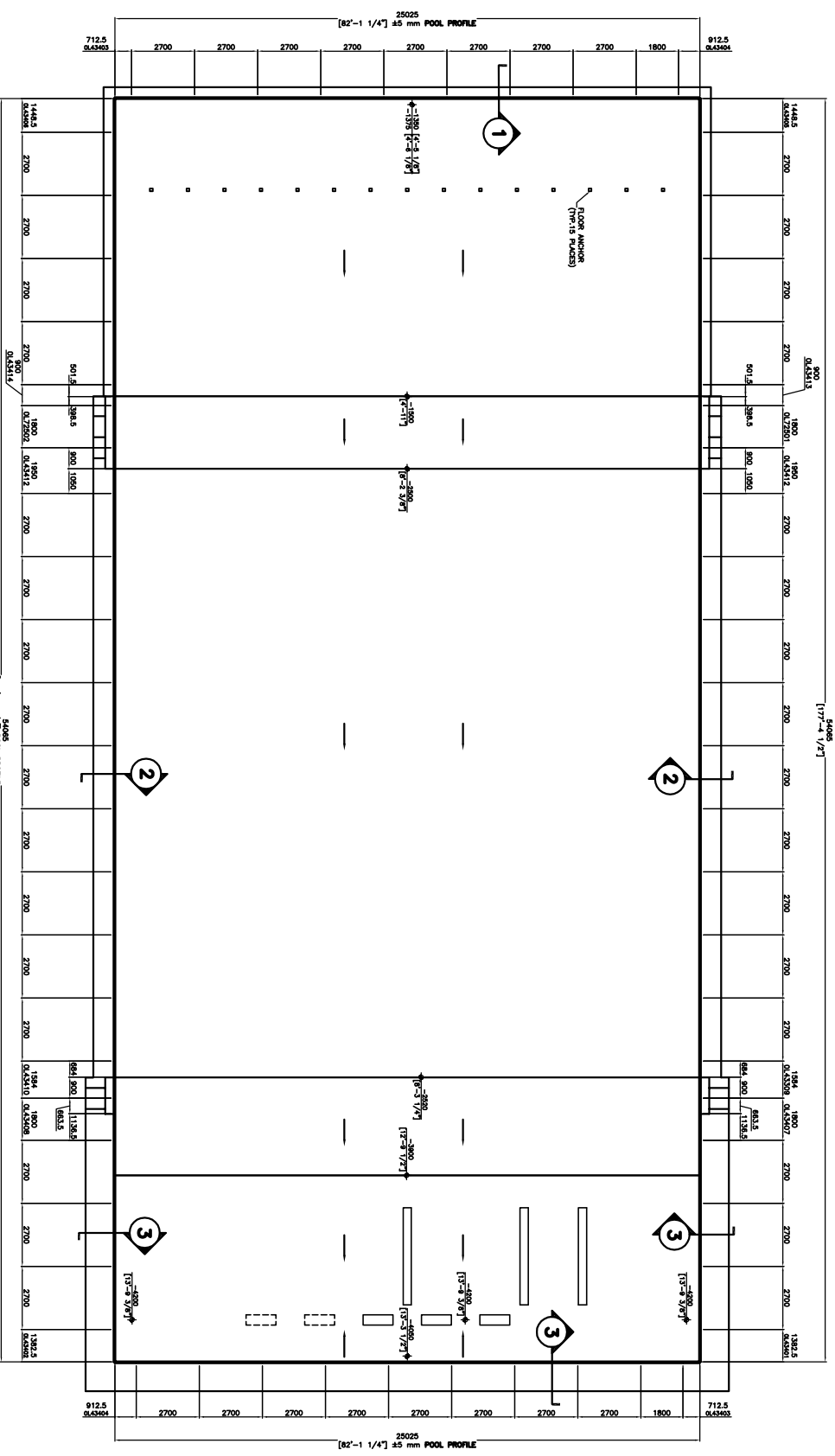


1 TYP. 1350 DEPTH MYRTHA CER/2 SECTION
SCALE 1:10

DETAIL 'A' / SCALE 1:2
C80 BASE FRAME

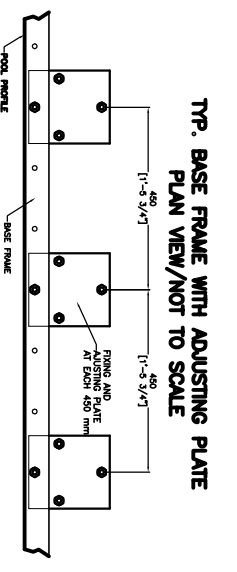
DETAIL 'B' / SCALE 1:2
C80 BASE FRAME

DETAIL 'C' / SCALE 1:2
BASE FRAME WITH ADJUSTING PLATE



2 TYP. MYRTHA 2500 mm DEPTH CER/2 STRUCTURE
SCALE 1:10

3 TYP. MYRTHA 3000 mm DEPTH CER/2 STRUCTURE
SCALE 1:10



NO.	DATE	DESCRIPTION